

Style:  
 Overhead Braced  
 Floor Mount  
 Ceiling Mount  
 Floor/Ceiling Mount

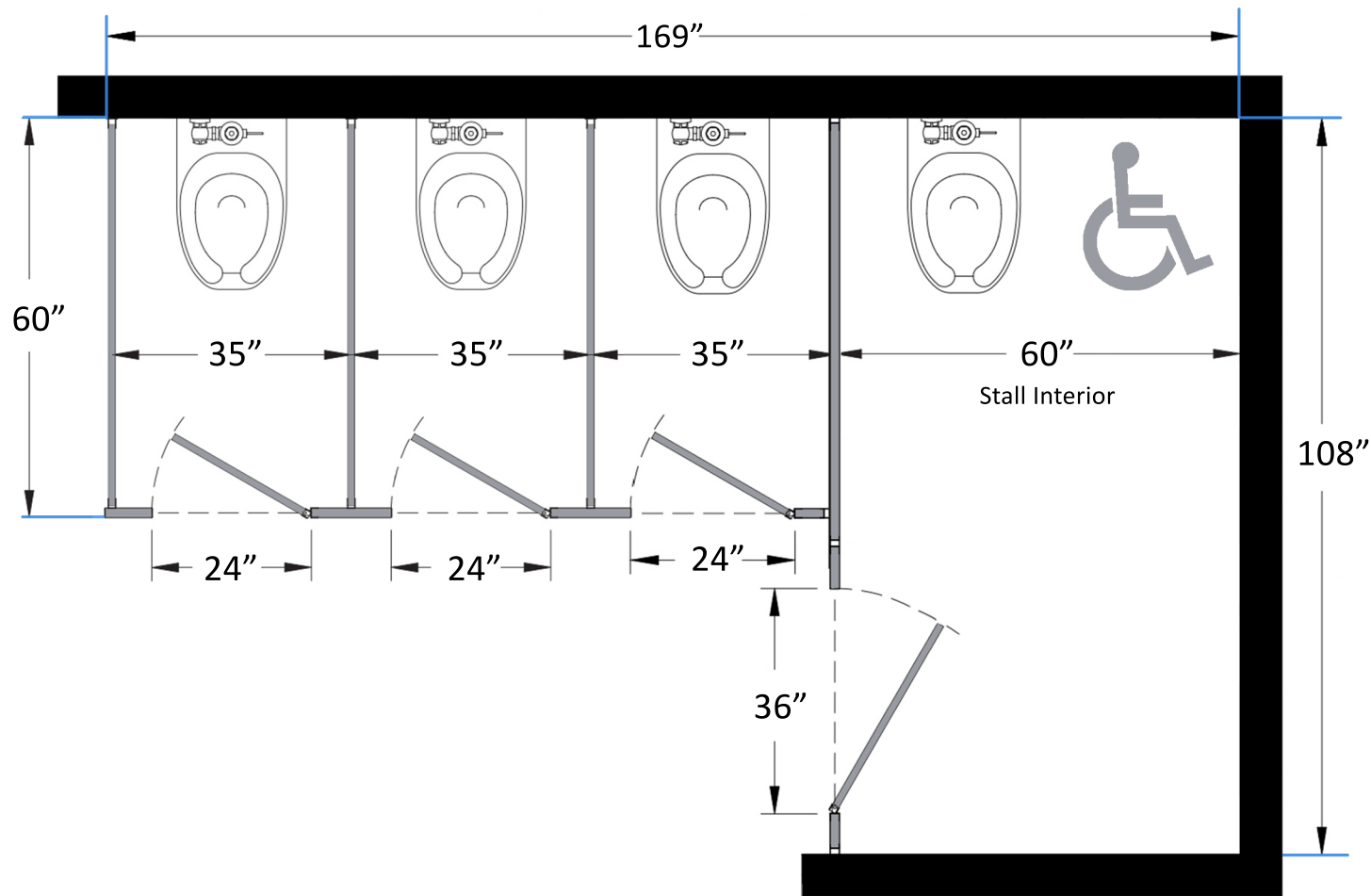
Material:  
 Baked Enamel  
 Plastic Laminate  
 Solid Phenolic  
 Solid Plastic  
 Stainless Steel

Color: \_\_\_\_\_

Ship To: \_\_\_\_\_

City: \_\_\_\_\_

State: \_\_\_\_\_ Zip: \_\_\_\_\_



Bathroom Partitions - 4 Stall Alcove Right Hand ADA

SKU: ALIC4RADA

Standard Dimensions

**Harbor City Supply**

Phone 443-279-0632 or 1-800-260-0907

1966 Greenspring Drive Suite 506, Timonium, Md. 21093

Fax 443-279-0015 sales@harborcitysupply.com